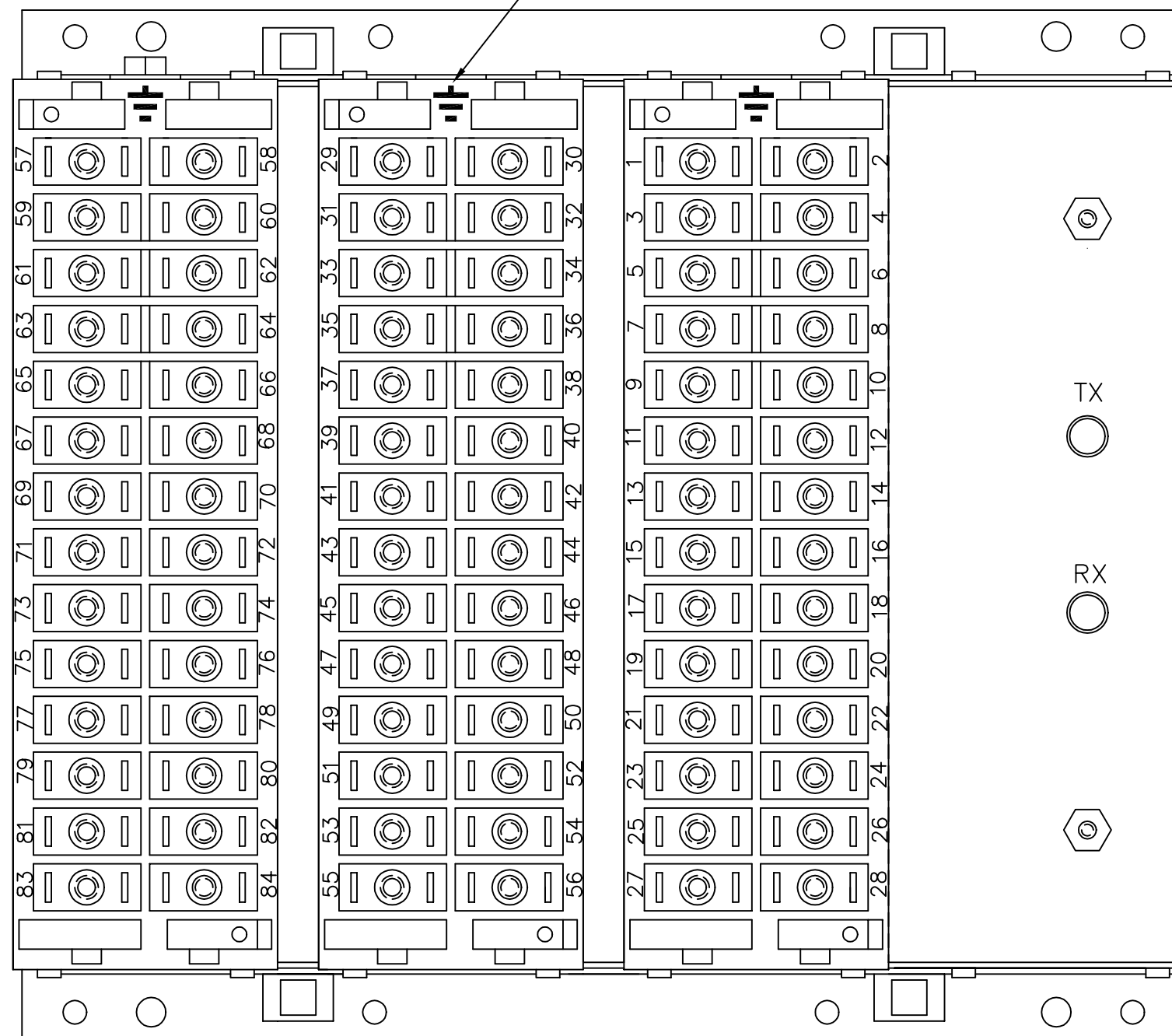


IF IN DOUBT ASK
DO NOT SCALE

SEE NOTE 4



NOTES

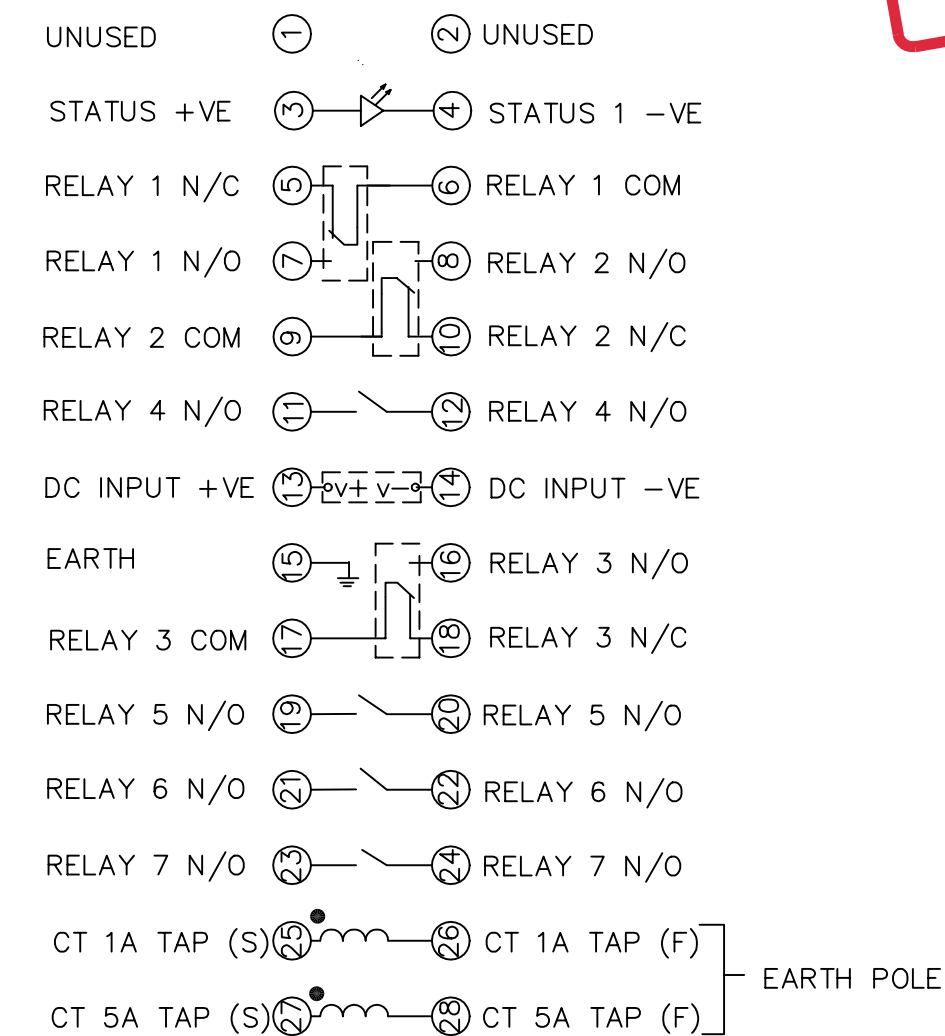
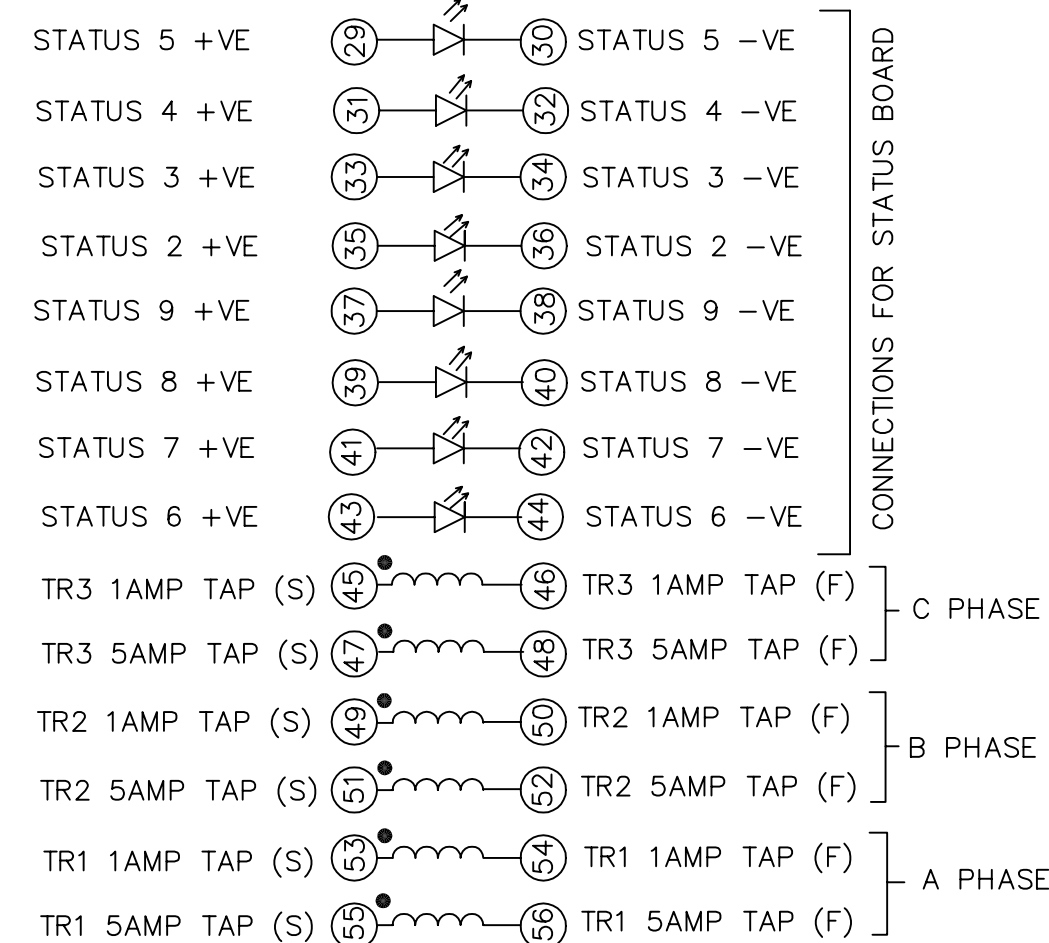
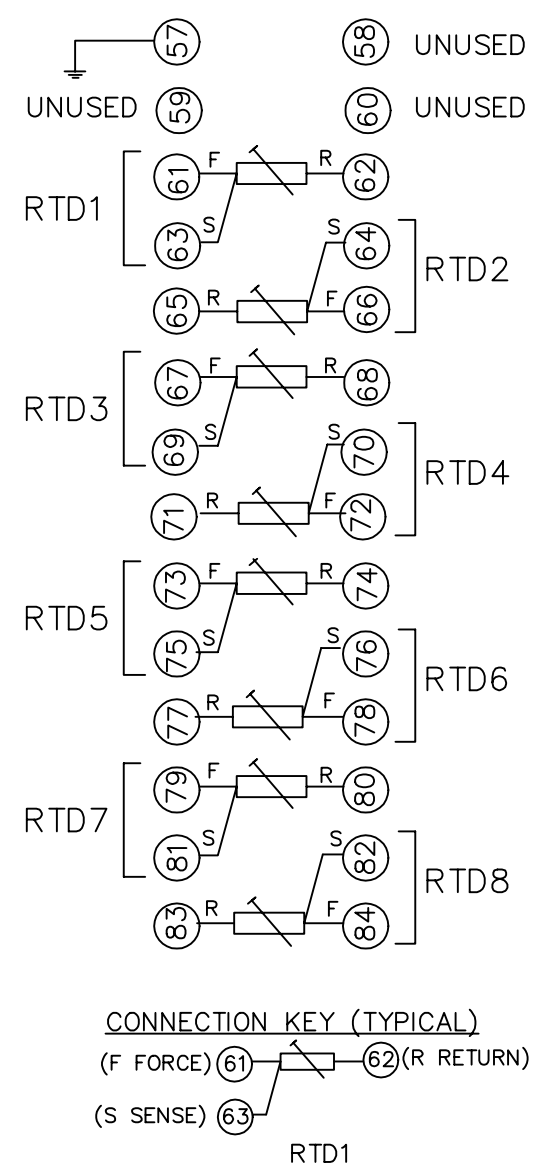
- 1 FOR R8 BOX ASSY SEE 2434H10006 (A1)
- 2 TERMINALS RECOMMENDED ARE PRE INSULATED & MUST BE CRIMPED USING APPROVED TOOLING. AMP PIDG OR PLASTI GRIP FUNNEL ENTRY (RING TONGUE) FOR M4 FIXING STUD.

SUPPLIER	AMP	CABLE SIZE
AMP	342103	0.25-1.6 SQ MM
AMP	342143	1.0-2.6 SQ MM.

OR ANY OTHER MANUFACTURERS EQUIVALENT TERMINAL.

- 3 FOR OUTLINE & DRILLING DRG SEE 2434X10001 (A4).
- 4 EARTH SYMBOL TO BE BLANKED OUT ON CONNECTORS THAT DO NOT HAVE EARTH SCREW FITTED.

BOX VIEWED FROM REAR



NOT SUBJECT TO UPDATE
ONCE COPIED / PRINTED
OR DOWNLOADED

MATERIAL:

Dimensions in millimetres ; Surface texture in micrometres.
Machine where marked ✓
For explanation of dimensions, tolerances, notes etc. see B.S.308.
Limit on untoleranced unmachined dimensions ±
Limits on untoleranced machined dimensions to B.S.4500;
i.e. up to 6±0.1; over 30 to 120±0.3; over 315±0.8;
over 6 to 30±0.2; over 120 to 315±0.5;
General unmachined angular tolerance ±

Finish:

Treatment:

Title: TERMINAL IDENTIFICATION & RELAY WIRING DIAGRAM
RHO3 MOTOR PROTECTION RELAY WITH RTD INPUTS
(REYMO8 R8 CASE)

**Reyrolle Protection
Hebburn.**

Original Scale:
1:1

First used on:

Similar Articles: 2716W20001

Supersedes:

Org. No.

2681W20002

2 RDW	9/12/02	MN681/2443
1	26/7/99	CHANGE
		NOTED

Copyright © Reyrolle Ltd.